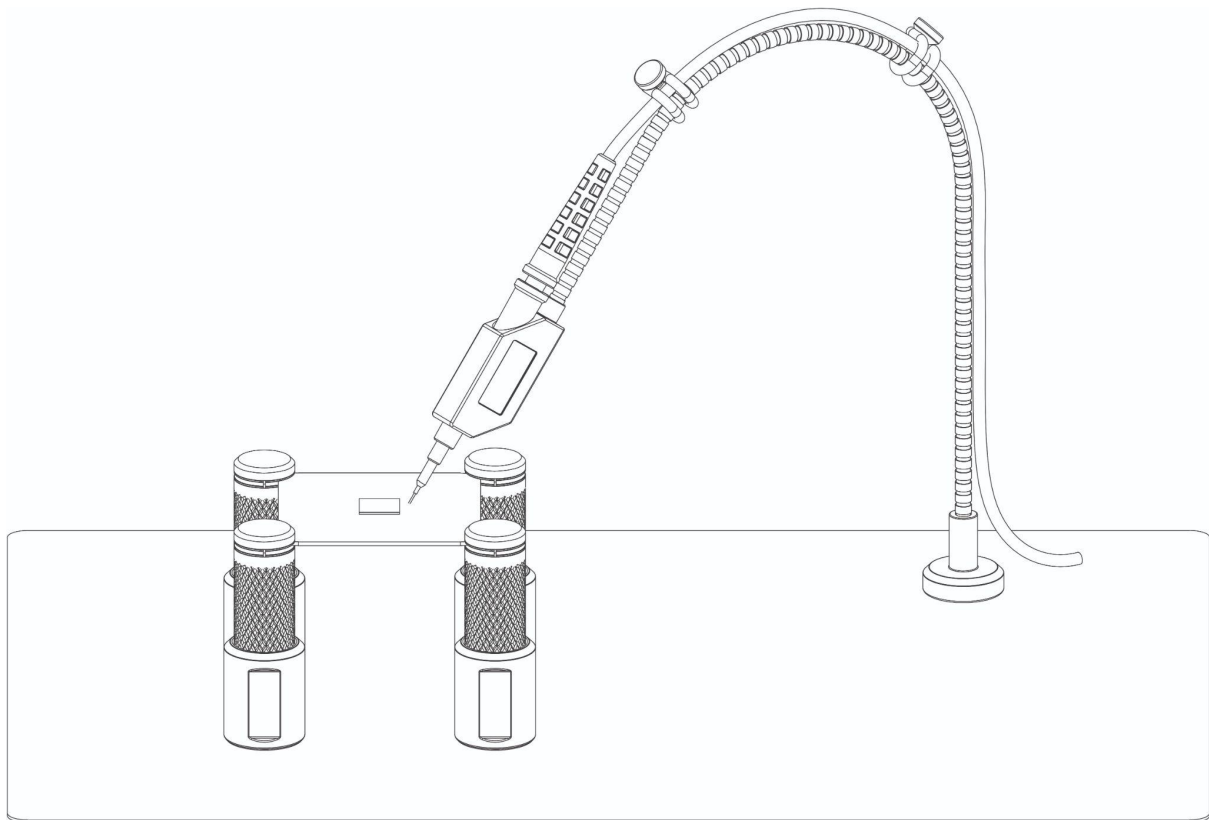


User's Guide

SQ200 - 200 MHz handsfree oscilloscope probe

SQ350 - 350 MHz handsfree oscilloscope probe

SQ500 - 500 MHz handsfree oscilloscope probe



Introduction

This passive high-impedance oscilloscope probe is suitable for most oscilloscopes with a 1 MΩ input impedance.

Warranty

Sensepeek products are warranted for 12 months from the date of purchase. The warranty covers defects in material and workmanship. This warranty does not apply to components (parts and accessories) subject to natural and normal wear and tear. This warranty does not in any way limit the rights you have under mandatory law.

Disposal



Sensepeek offers our customers the opportunity to return products at the end of their functional lives to Sensepeek for recycling. Qualifying products are marked with the WEEE symbol shown above. Or ensure WEEE compliant collection and treatment yourself. Do not dispose of this product as unsorted municipal waste

Delivery cost of any authorized product returned to Sensepeek will be at the expense of the sender.

Safety

To prevent possible death, personal injury, electrical shock, fire or damage to the product, carefully read this safety information before use of the product. Follow all generally accepted safety practices and procedures for working with and near electricity. The product has been designed in accordance with the IEC 61010-031 standard and left the factory tested and in a safe condition.



Safety descriptions found throughout this user guide: A WARNING identifies conditions or practices that could result in death or injury. To prevent injury or death only qualified personnel should use this product, only as instructed and with only accessories supplied or

recommended. Protection provided by the product may be impaired if used in a manner not specified in this guide.



A CAUTION identifies conditions or practices that could result in damage to connected product or equipment.

Maximum input ranges

The full-scale measurement ranges are the maximum voltages that can be accurately measured by the probe for safe operation. The overvoltage ranges are the maximum voltages that will not damage the probe.



WARNING To prevent electric shock, do not connect the probe to voltages exceeding the levels specified in this user guide and do take all necessary safety precautions when working on equipment where hazardous live voltages may be present.



WARNING Do not connect to a mains voltage or a derived voltage that can carry the overvoltage transients that may be present. Note that the probe's maximum input voltage rating decreases as the frequency of the applied signal increases. This probe does not carry a measurement category rating.

Grounding



WARNING Do not ever connect the ground input to, or allow it to touch, any electrical potential other than ground. To prevent death or personal injury, always measure that there is no significant DC or AC voltage between the probe ground and the point to which you intend to connect it.



CAUTION Applying a voltage to the ground input is likely to cause permanent damage to the probe or other connected equipment.

Environment



WARNING To prevent death or injury, do not use near explosive vapor or gas.



CAUTION To prevent damage to the probe, always operate and store your probe according to the levels specified in this guide.

Care of the product

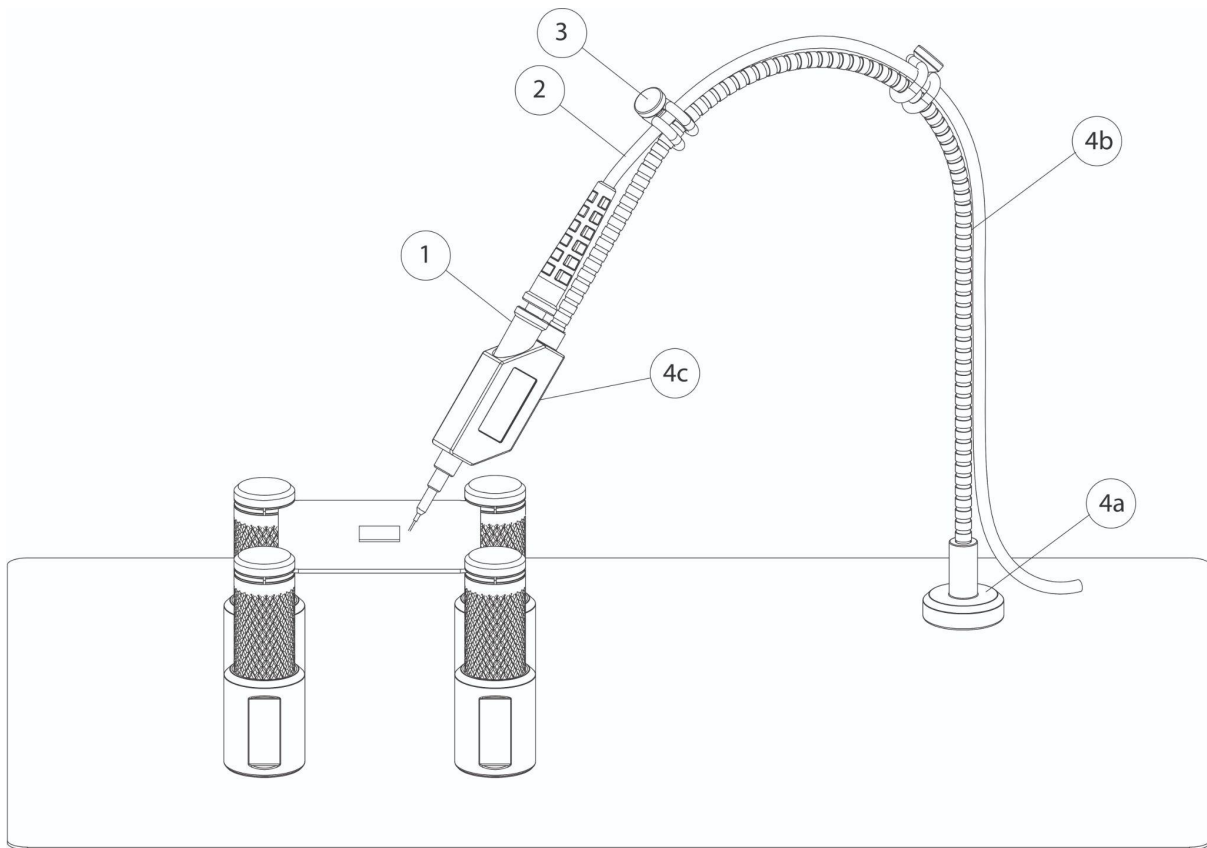
The probe contains no user-serviceable parts.



WARNING To prevent death or injury, do not try to open any part of the assembly, do not use the product if it appears to be damaged in any way, and stop use immediately if it behaves abnormally.



CAUTION Always handle with care to avoid injury from the sharp tip. Ensure that the probe is completely dry before use. Do not allow liquids to enter the probe. Take care to avoid mechanical stress or tight bends on the arm and cable connecting the probe head to the oscilloscope. Mishandling will degrade performance and measurement accuracy and is not covered by the warranty. Avoid all kind of mechanical shock to the probe assembly.



Overview

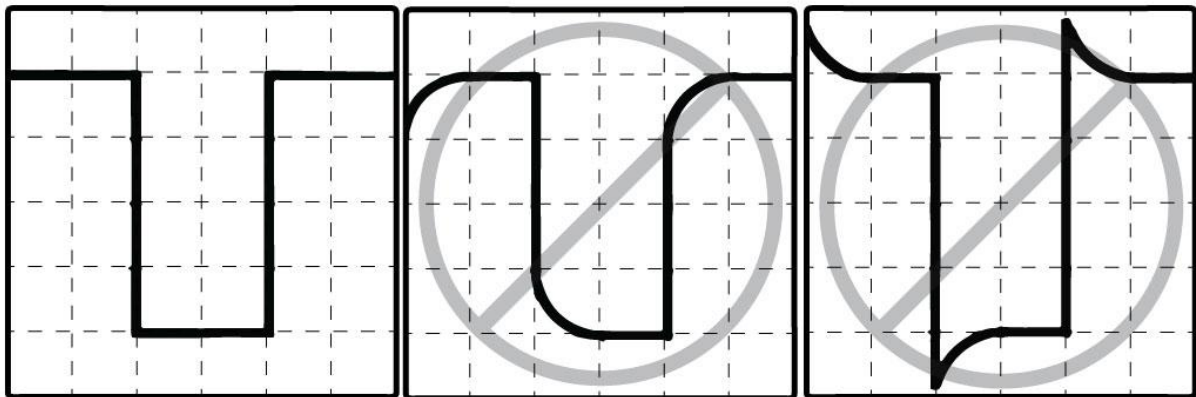
1. Probe
2. Probe cable
3. Color coded cable holder
4. Probe holder
 - a. Probe base (with magnet)
 - b. Flexible arm
 - c. Probe arm grip

Getting started

1. Insert the probe inside the probe holder cavity
2. Snap on the color coded cable holders on the flexible arm and the probe cable to hold and identify your oscilloscope channel
3. Choose GND option
4. Connect the probe cable BNC connector (not shown in picture) to your instrument (oscilloscope)
5. Calibrate your probe according to the Frequency compensation chapter.

Frequency compensation

Check the compensation of the probe before taking any measurements and always adjust it to match the oscilloscope input channel. Connect the probe head needle to a 1 kHz square wave of ~2 V pk-pk. Most oscilloscopes have a signal generator output with a test signal that can be used. Adjust the trimmer at the BNC until you see a flat-top square wave on the oscilloscope display* by rotating the adjustment tool clockwise.



*The probe can not meet the full specification if under or over compensated or incorrectly adjusted. The better compensated, the flatter the frequency response and higher bandwidth one will obtain

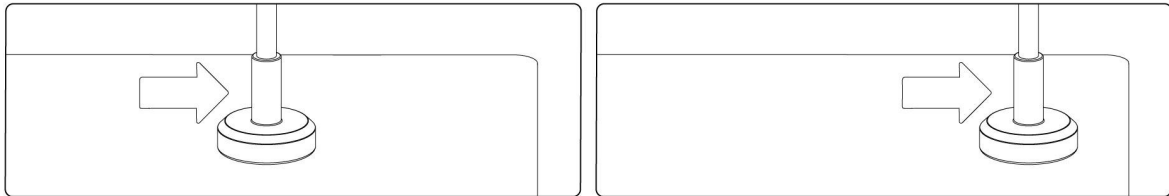
Ground loop

Try to use a grounding point as close as possible to the component being measured. A small ground loop injects less noise. Do not increase the length of the ground cable. Making it shorter will only affect the measurement in a positive way with higher bandwidth and less noise.

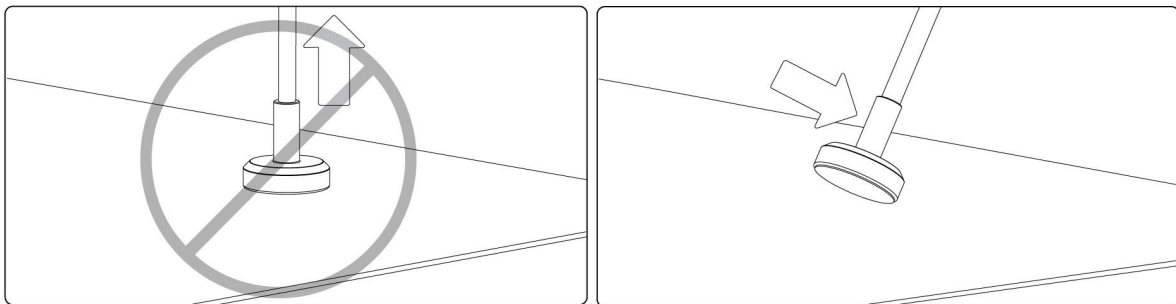
Operating instructions

Position the probe - Place the probe foot on the base plate and the magnet will keep it in place.

Reposition the probe - Slide the probe foot on the base plate

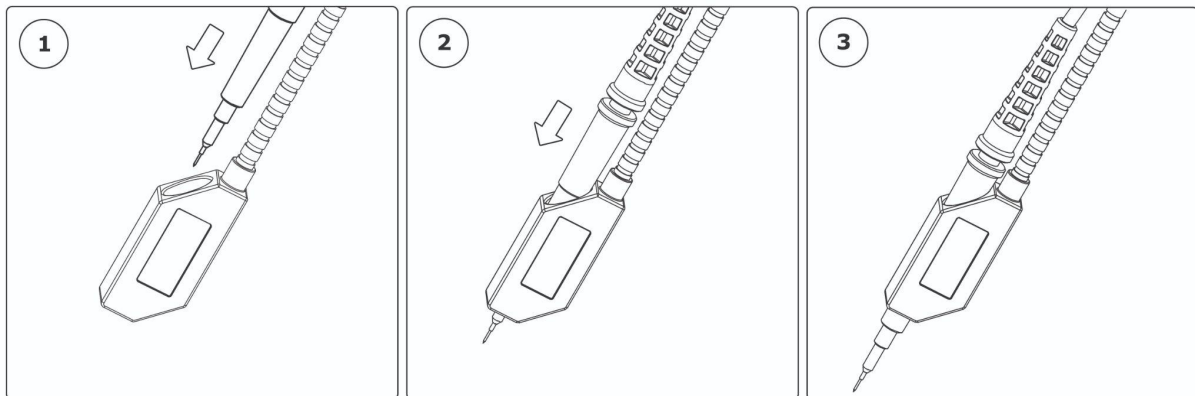


Detaching the probe - Tilt the probe foot gently and remove the probe arm. Avoid pulling on the flexible arm!



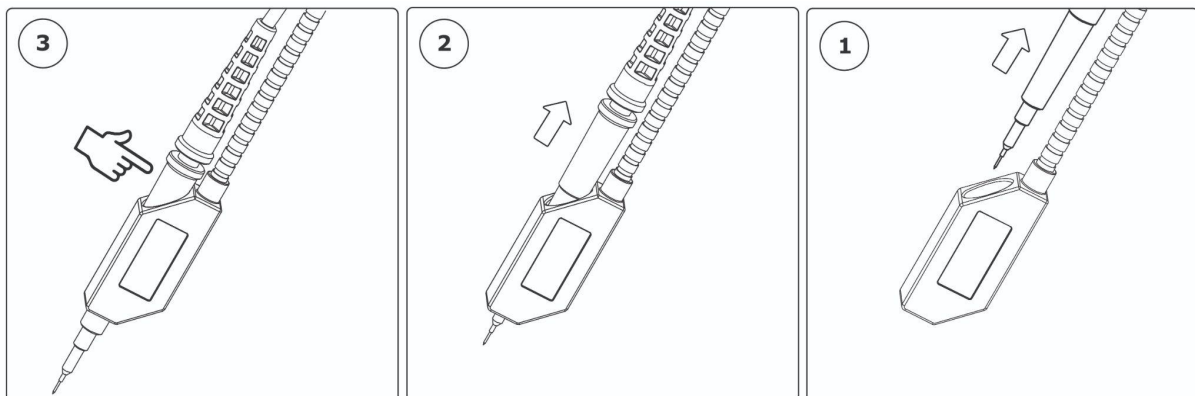
Mounting the probe

1. Insert the probe inside the probe arm cavity
2. Push the probe inside the cavity until it stops
3. The friction will hold the probe in place



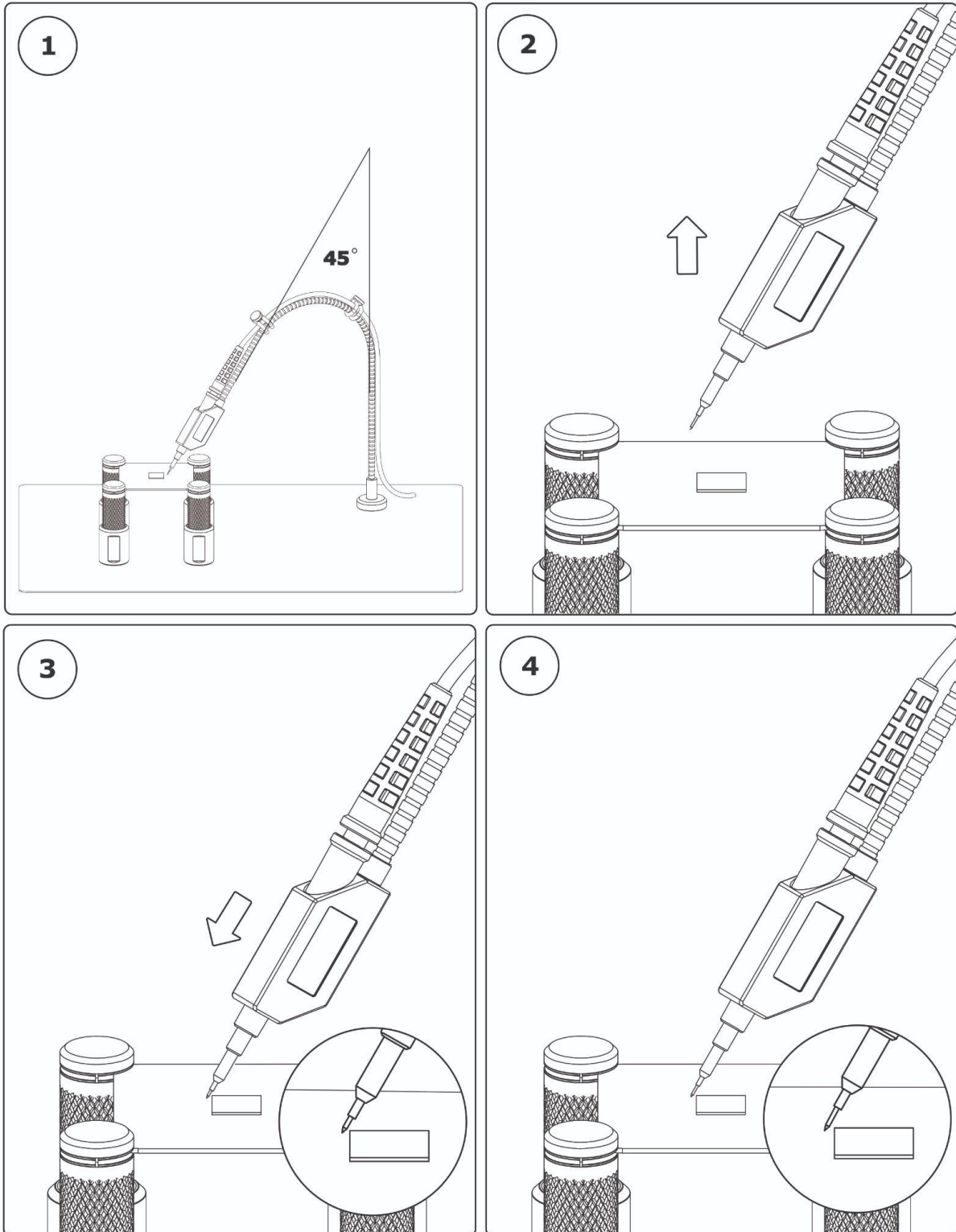
Dismounting the probe

1. Take a firm grip on the probe handle (Do not pull the cable)
2. Pull the probe gently until it loosens
3. Remove the probe from the probe arm



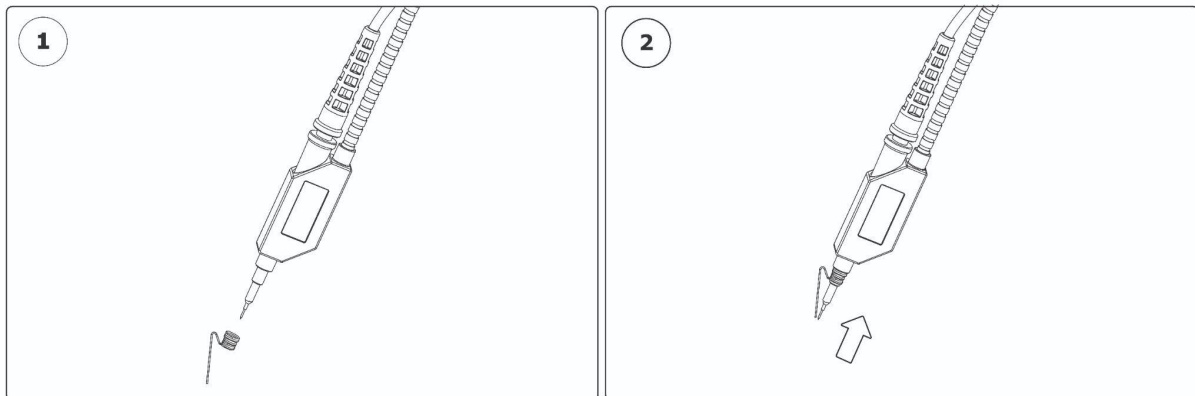
Measuring with the probe

1. Position the arm in 45 degree angle
2. Lift the probe in the probe grip
3. Compress the needle to the measuring target
4. Release the probe grip gently



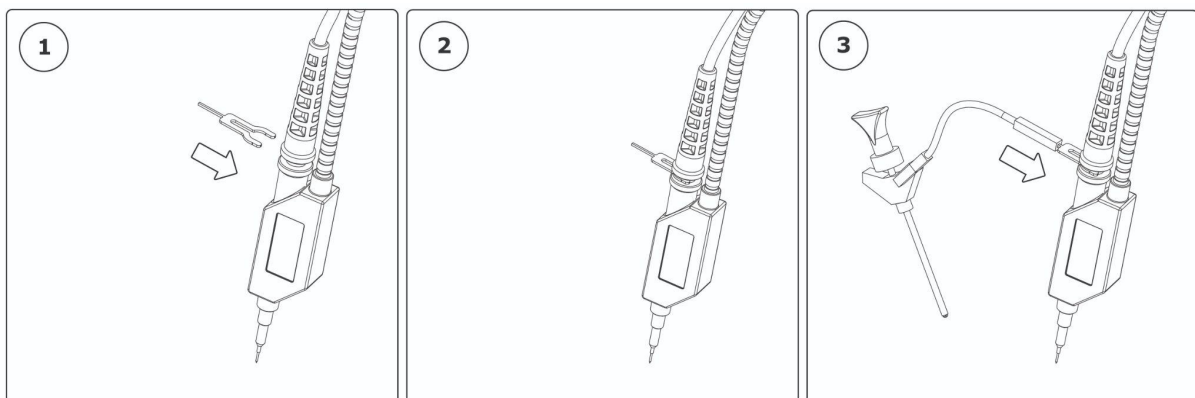
Mounting a 3,5mm GND option

1. Align the hole on the 3,5mm GND towards the needle
 2. Press and twist on the 3,5mm GND on the metal cylinder
- Please be aware of the sharp needle tip!



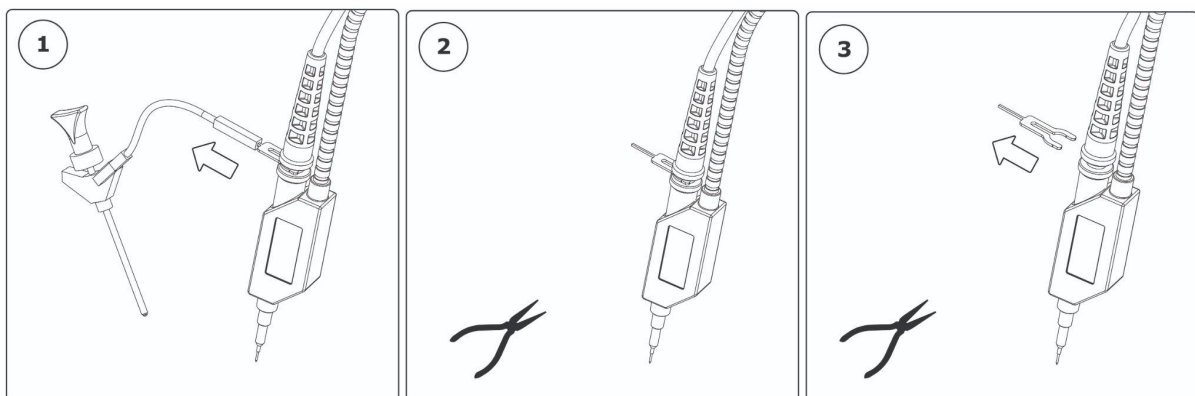
Mounting a 5mm GND option

1. Hold the GND clip with the open loop against the probe
2. Press the GND clip with the open loop over the metal cylinder
3. Connect your choice of GND connector



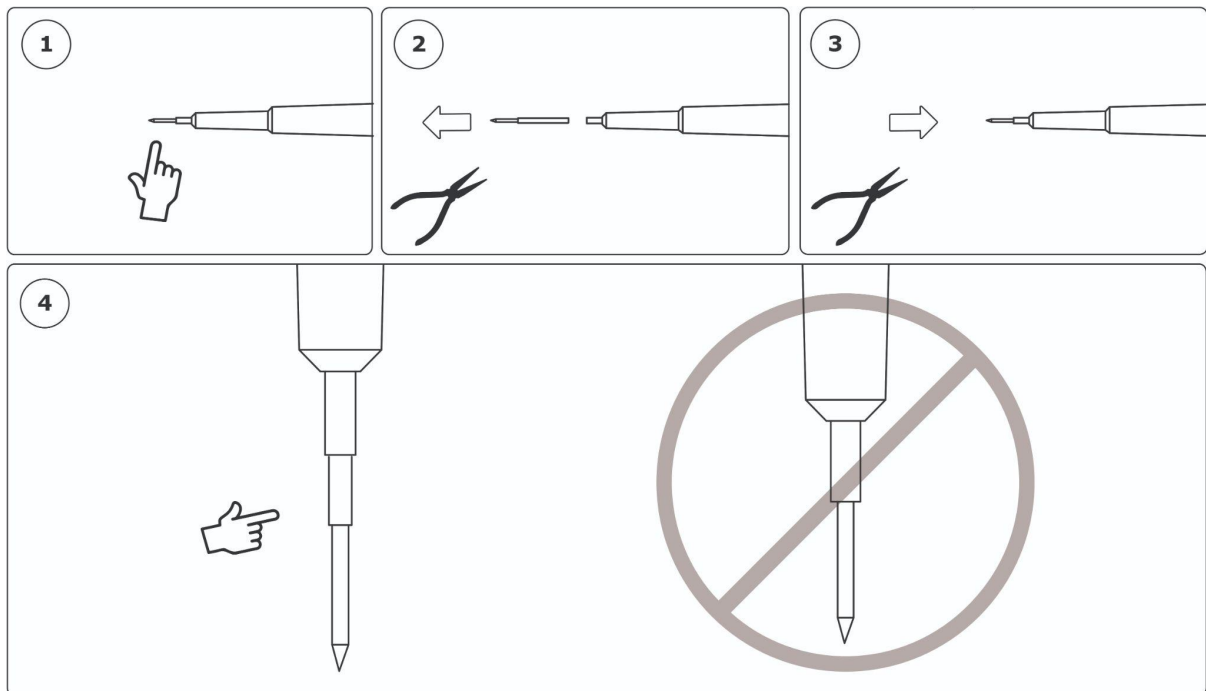
Dismounting a 5mm GND option

1. Remove your GND connector
2. Grab the GND clip with a plier (avoid to grab only the thin pin)
3. Pull gently and the clip will detach

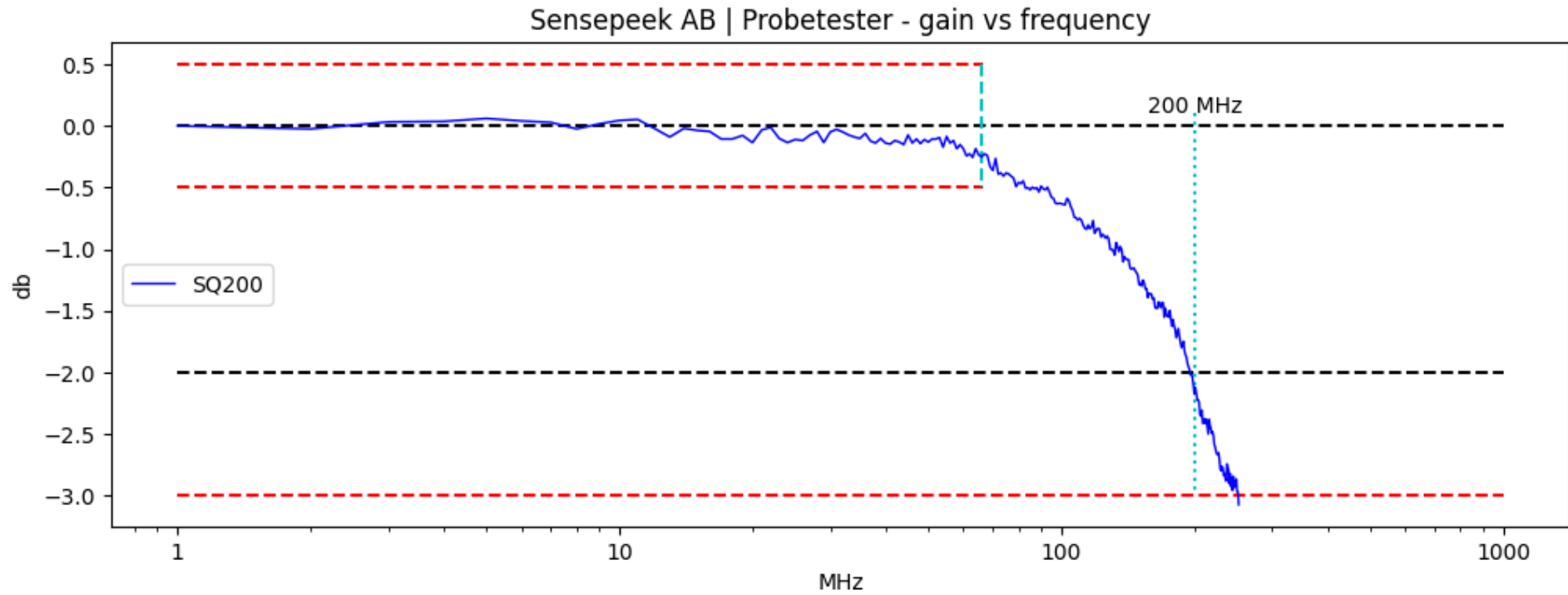


Probe needle replacement

1. Notice the replaceable needle tip. Please be aware of the sharp needle tip!
2. Pull out the replaceable needle tip by hand or use pliers.
3. Pick up the new needle tip and insert in the sleeve with pliers.
4. Press the needle vertically against a planar stable surface and make sure it is correctly inserted.



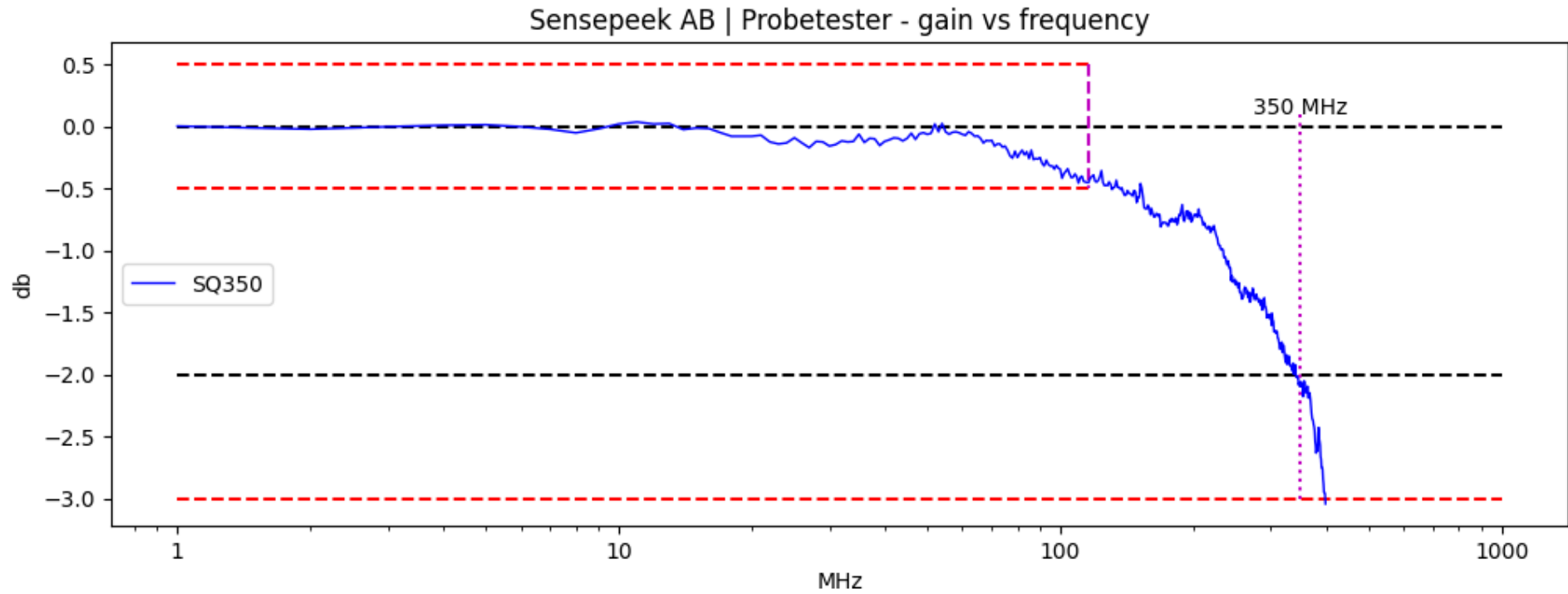
SQ200*



*Graph shows typical performance of an actual measured SQ200 probe from volume production.

SPID (Sensepeek probe ID): 5351323030-c1f82b7b

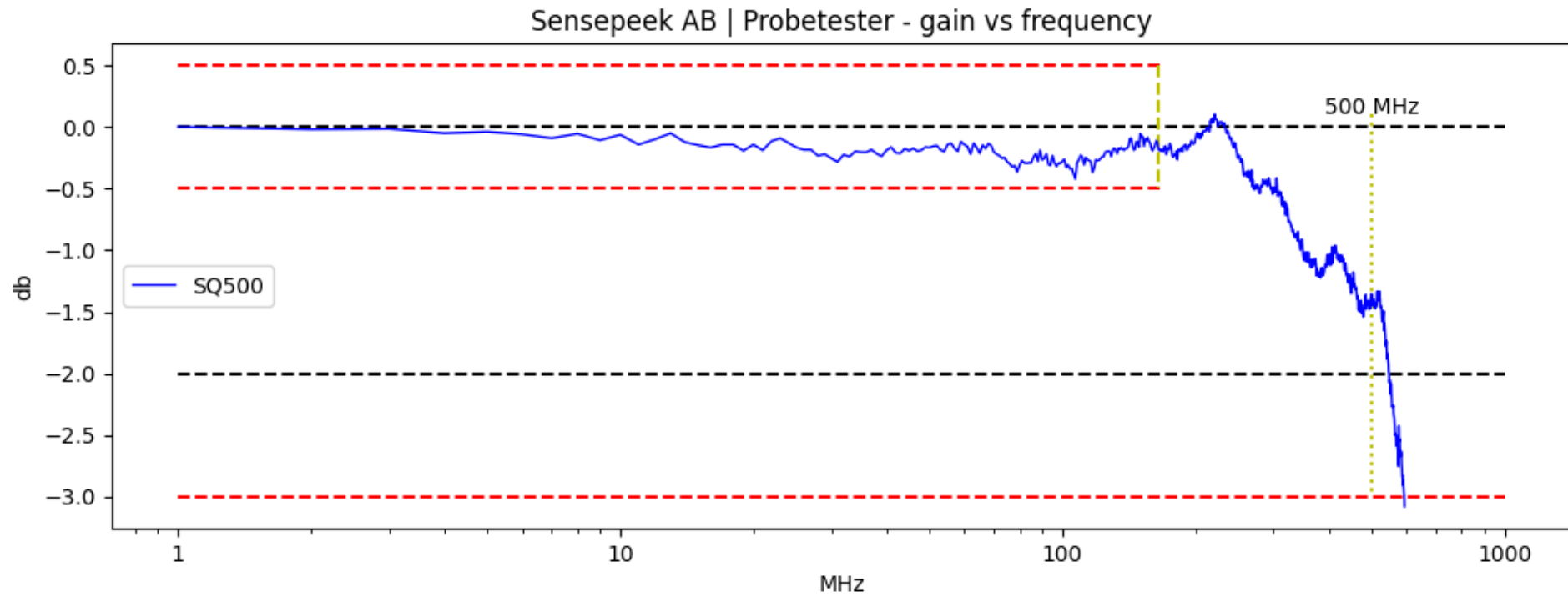
SQ350*



*Graph shows typical performance of an actual measured SQ350 probe from volume production.

SPID (Sensepeek probe ID): 5351333530-c3947f5a

SQ500*



*Graph shows typical performance of an actual measured SQ500 probe from volume production.

SPID (Sensepeek probe ID): 5351353030-c1f82b7b

Specifications

Model	SQ200	SQ350	SQ500
Bandwidth (3 dB)*	DC to 200 MHz	DC to 350 MHz	DC to 500 MHz
Attenuation	10:1		
Resistance at probe tip (±2% at DC)	10 MΩ		
Capacitance at probe tip	13,9 pF	12,7 pF	9 pF
Scope input impedance	1 MΩ		
Scope x10 pin	Yes		
Maximum working voltage	150 V RMS CAT I		
Overvoltage protection (voltage that will not damage)	800 V		
Compensation range	9 to 54 pF		
Cable length with probe and BNC	1,2m (approx. 3 ft 11 in)		
Temperature Storage	-40 °C to +60 °C		
Temperature Operating	-20 °C to +50 °C		
Max. humidity (non-condensing) Storage	80 %		
Max. humidity (non-condensing) Operating	80 % to +30 °C, decreasing linearly to 40 % at +50 °C		
Max. altitude Storage	15 km		
Max. altitude Operating	2 km		
Pollution degree	2 (As defined in IEC 61010-031. Only non-conductive pollution. Occasionally, however, a temporary conductivity caused by condensation must be accepted.)		
Weight (probe without holder)	40 g		
Probe tip diameter	0.5 mm		
RoHS and REACH compliant	Yes		

*The probes can continue to measure above the rated bandwidth but with decreased signal, the probe will reach the f3dB limit above the rated bandwidth.

